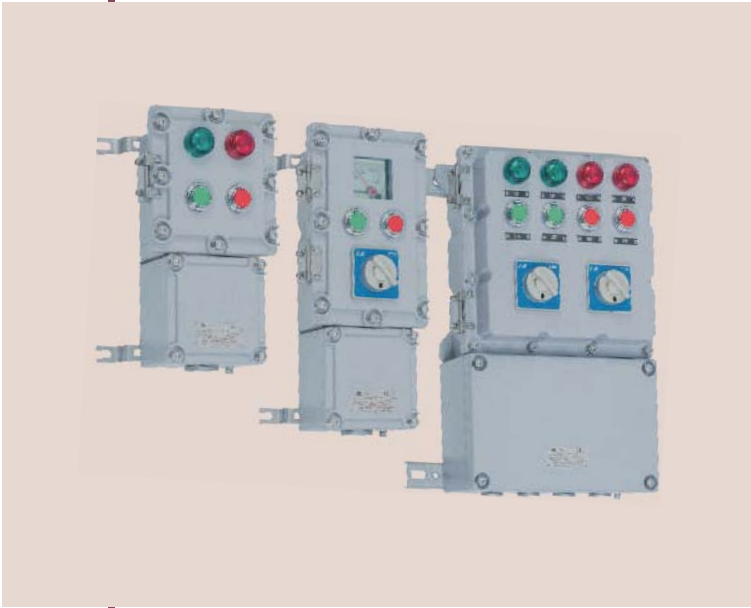


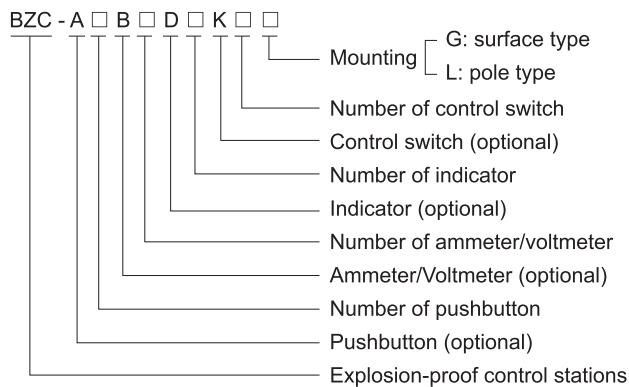
Control Stations

BZC Series Explosion-proof Control Stations (Ex d e IIB)



- ◆ Explosion protection to
 - CENELEC
 - IEC
- ◆ Can be used in
 - Zone 1 and Zone 2
- ◆ Copper-free aluminium enclosure, powder coated surface.
- ◆ Seven types of enclosure.

■ Catalogue number logic



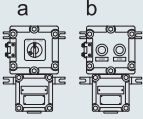
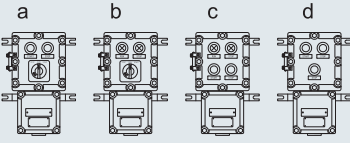
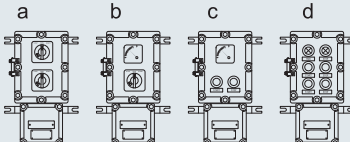
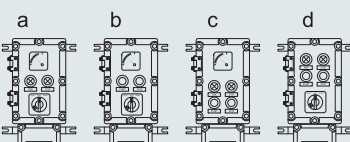
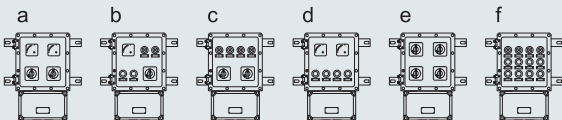
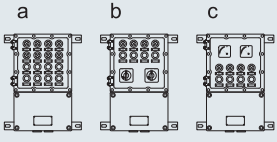
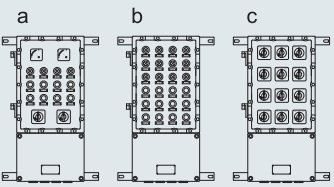
■ Note

1. Please refer to the Selection table on P4/9.
2. Please select internal components as below:
 - Selection table of HA pushbutton on P4/12~13 (Nominal contact is 1NO+1NC);
 - Selection table of HD indicator on P4/14~15;
 - Selection table of HK control switch on P4/16~19;
 - Selection table of BB8050 explosion-proof ammeter/voltmeter on P4/53~55;
3. Example: BZC-A2B1K1L
 - Components: Two pushbuttons, one ammeter, one control switch; pole type;
 - Tech. Details: One start pushbutton (40036B + 40033, green, 1NO+1NC);
 - One stop pushbutton (40036A + 40033, red, 1NO+1NC);
 - One ammeter (40126, 100/5A);
 - One control switch (Function A, stop-run-start);
4. Special requirements on request.

Zones 1&2

Control Stations

BZC Series Explosion-proof Control Stations (Ex d e IIB)

Selection table of control station BZC (Ex d e IIB)				
Enclosure type	Components arrangement	Cable entries and direction	Ordering code	Enclosure weight (kg)
I		1-M32x 1.5 Bottom entry	40025.....	4.15
II		1-M32 x 1.5 Bottom entry	40026.....	5.30
III		1-M32 x 1.5 Bottom entry	40027.....	6.65
IV		1-M32 x 1.5 Bottom entry	40028.....	6.80
V		1-M32 x 1.5 or 2-M25x 1.5 or Bottom entry	40029.....	13.0
VI		1-M40 x 1.5 or 1-M32 x 1.5 or 4-M25 x 1.5 Bottom entry	40030.....	15.25
VII		1-M40 x 1.5 or 4-M32 x 1.5 or 6-M25 x 1.5 Bottom entry	40031.....	40.65



Control Stations BZC Series Explosion-proof Control Stations (Ex d e IIB)

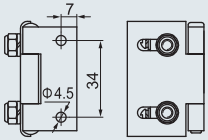
Technical data

Explosion-proof control stations

BZC (Ex d e IIB)

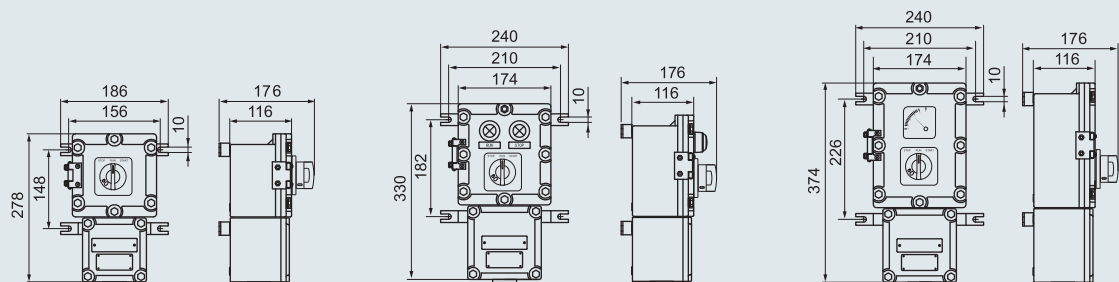
Explosion protection	Ⓔ II 2 G Ex d e IIB T6
Certificates	PTB 03 ATEX 1076; IECEX CQM 07. 0011; KZ.7500525.22.01.00378 (CU-TR)
Conformity to standards	EN 50014, EN 50018, EN 50019 IEC 60079-0, IEC 60079-1, IEC 60079-7
Enclosure material	Copper-free aluminium, powder coated surface
Enclosure colour	Window grey (RAL7040)
Exposed fastener	Stainless steel
Rated voltage	Max. 415V AC
Rated current	10A
Degree of protection	IP65
Ambient temperature	-20°C~+55°C
Components	1. Technical data of HA pushbutton on P4/12~13; 2. Technical data of HD indicator on P4/14~15; 3. Technical data of HK control switch on P4/16~19; 4. Technical data of BB8050 explosion-proof ammeter/voltmeter on P4/53~55
Cable entries	Bottom, M□ x 1.5 plug. Please see the Selection table on P4/9
Cable gland (optional)	DQM-I (Ex e) is recommended. Please see P7/17~19
Mounting	Surface type Pole type (for enclosure I, II, III, IV only)
Note	1. Please specify the number and size of entries (applicable for surface type only); 2. For pole type, only G1" entry is applicable;

Accessories and parts

Description	Illustration	Material	Ordering code	Weight (kg)
Hinge		Stainless steel	40032	0.06



Dimension drawings (all dimensions in mm) - subject to alteration



Enclosure I

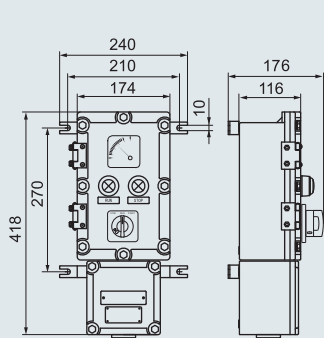
Enclosure II

Enclosure III

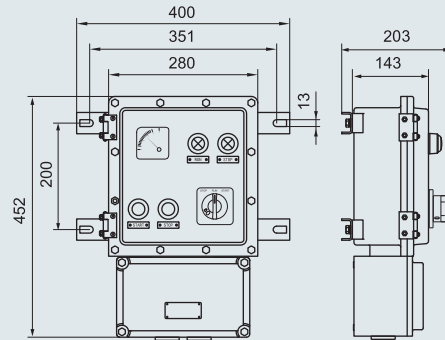
Control Stations

BZC Series Explosion-proof Control Stations (Ex d e IIB)

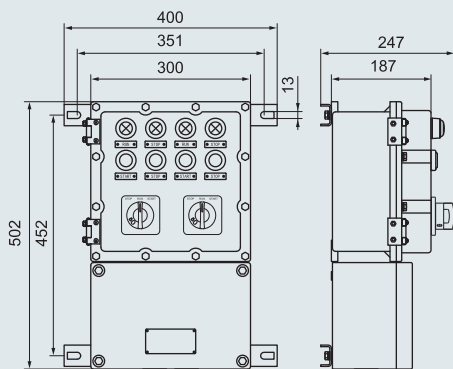
Dimension drawings (all dimensions in mm) - subject to alteration



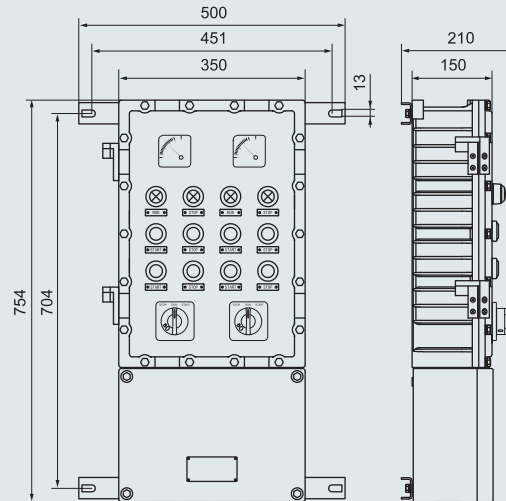
Enclosure IV



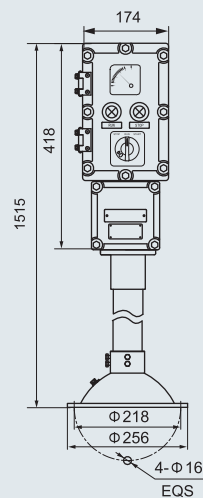
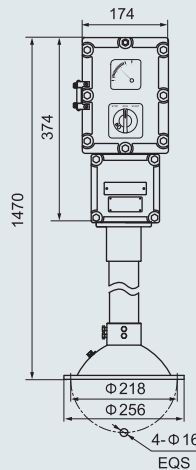
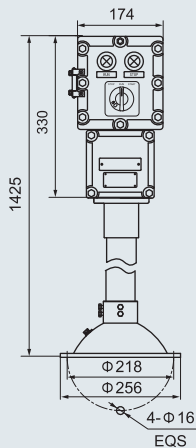
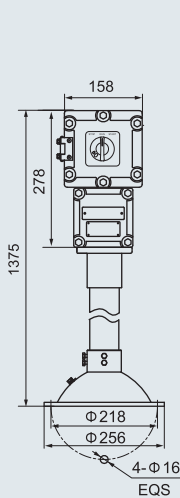
Enclosure V



Enclosure VI



Enclosure VII



Pole type (for enclosure I, II, III, IV only)

